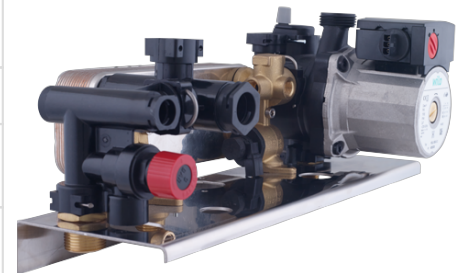


Valves / Hydroblocks / HB-1501

CONSTRUCTIVE PROPERTIES

	STANDARD	OPTIONAL
Material	Composite [Brass (CuZn40Pb2) - PA66 GF30]	-
Hydroblock Type	Monothermic	-
Domestic Hot Water Flow Rate (Inlet Block)	8 lt / min. 10 lt / min. 12 lt / min. 15 lt / min.	
Check Valve Opening Pressure (nominal)	Varies as per customer request	-
Safety Valve Opening Pressure (nominal)	3 bar	Varies as per customer request
Flow Sensor Type	Turbine (Hall Effect-Variable)	-
By-Pass Type	Internal - Through heat exchanger	-



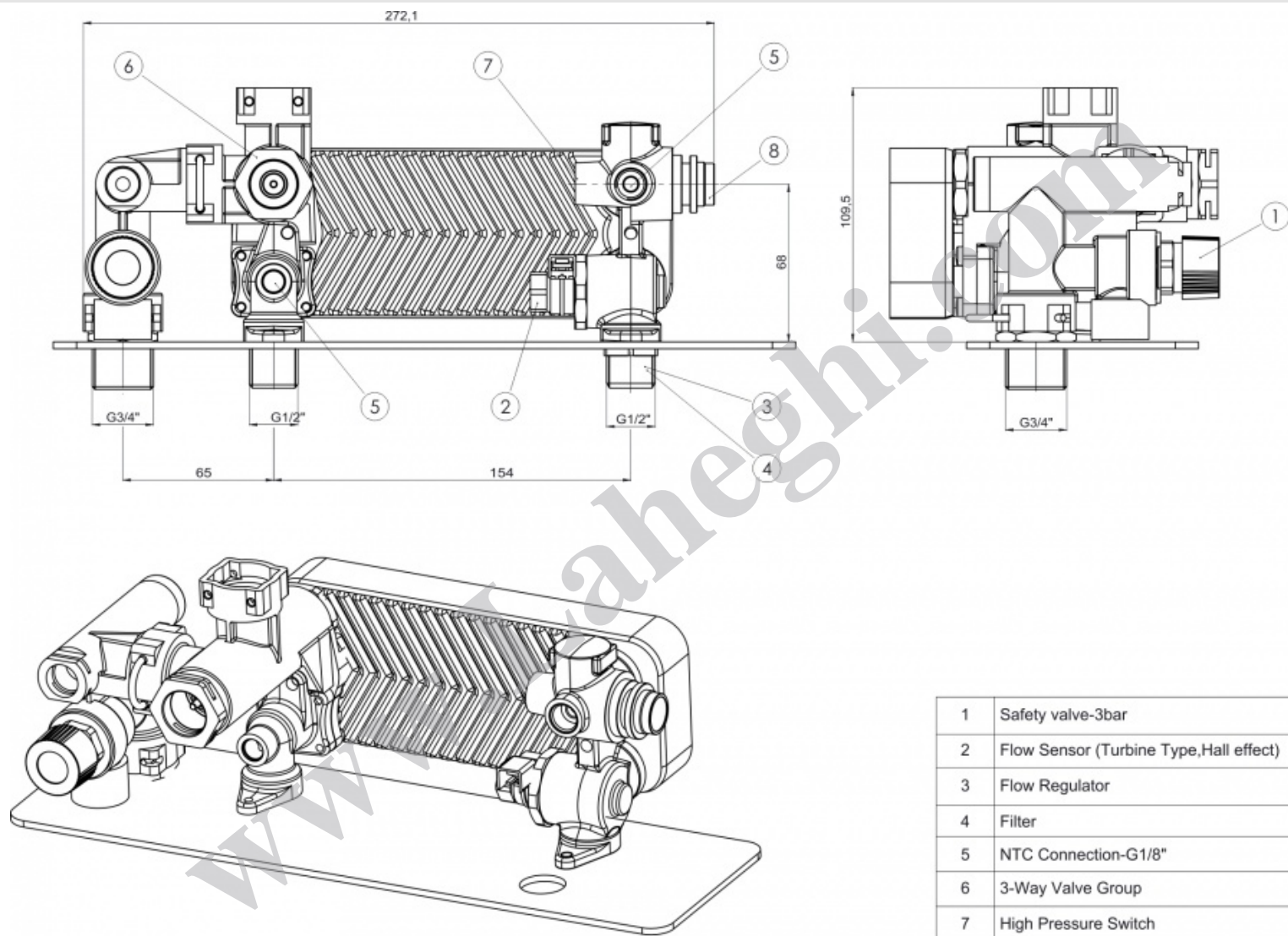
HB-1501

USAGE PROPERTIES

Storage Temperature	-20 ... +60 °C	-
Max.Water Temp.	120°C	-

www.Laheghi.com

Valves / Hydroblocks / HB-1501



Model No: HB-1501